

# Ceiling LED Linear Pendant

**LP51948**  
INSTALLATION SHEET

## START FROM HERE

- Make sure **POWER** is **COMPLETELY OFF** at the fuse box
- Have your fixture installed by a qualified licensed electrician
- Prepare everything in a clear area
- Wear gloves at all times during this installation
- Read instructions carefully before you start assembly
- Keep this installation sheet for future reference

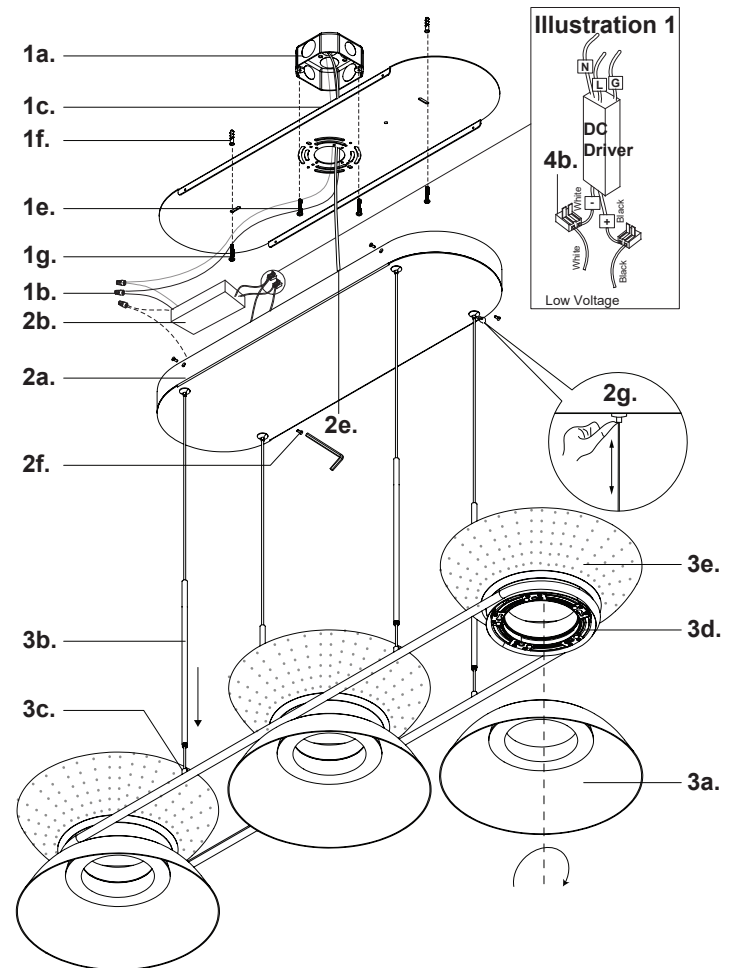
**Technical Support:** 1-855-855-8926

## Please Note:

- This Kuzco LED fixture comes with pre-wired LED module(s)
- Unless instructed, Do Not touch any part of the LED module(s) as any unnecessary contact with the module could cause permanent damage
- Use ELV (Electronic Low Voltage) or TRIAC type of dimmer for dimming application
- 120V input

1. Remove fixture from its original package.
2. Separate mounting plate (1c) from canopy (2a) by removing canopy screws with allen key (2f).
3. Attach mounting plate (1c) to electrical junction box (1a) using screws provided (1e) in hardware package.
4. Secure mounting plate (1c) to mounting surface with anchors (1f) and screws (1g).
5. Make sure Aircraft Cable (2e) is securely attached between canopy (2a) and mounting plate (1c).
6. To change fixture height, push and hold wire gripper (2g), slide wire to desired length and then release wire gripper (2g) to secure (Remove excess wire if necessary). Secure rods (3b) onto fixture body (3c).
7. Make proper electrical connections between LED and DC driver, LED- Negative (black), LED+ Positive (White) using quick connector provided (4b) (See Illustration 1 and refer to diagram on driver).
8. Make proper electrical connections (black to hot "L", white to neutral "N", ground to "GND") with wire nuts (1b) provided in hardware package and place driver (2b) inside the canopy (2a).
9. Secure canopy (2a) to mounting plate (1c) with canopy screws (2f) using allen key.
10. Align, insert mounting hardware on back of shade (3a) onto fixture mounting plate (3d), rotate clockwise slightly to secure shade (3a).

**Note:** Shades (3a) and lightguide shade (3e) should be installed as per the orientation shown.



**KUZCO**

19054 28th Avenue Surrey, BC Canada V3Z 6M3  
T: 604 538 7162 TF: 1-855 85 KUZCO F: 604 538 7196  
W: kuzcolighting.com  
20220101